



**GREATER THREATS DEMAND  
GREATER RESPONSE.**



**1500**

When the world around you is at its worst, you need to perform at your best. The new Striker lets you lead like never before. Greater fire suppression, control, safety and versatility maximize your response like no other truck can. Giving you the ultimate weapon against the ever-changing risks, threats and dangers of ARFF.

**FOLLOW NO ONE.**



**NEW STRIKER STANDARDS**

Get innovative fire suppression, unmatched chassis performance, advanced safety systems, unsurpassed reliability and durability, and smart design.

Get to know the new Striker.

**Innovative Fire Suppression**

- Optional Pulse Technology casts dry chemical powder over 90 ft. (27 m), 3 times the current capacity
- Optional increased pump capacity
- Optional crosslays to access handlines from either side of the truck

**Unmatched Chassis Performance**

- More than 2,000 lbs. (907 kg) lighter than the current Striker for faster acceleration
- 0-50 mph (80 kph) in under 25 seconds
- Comes equipped with Oshkosh® patented TAK-4® all-wheel independent suspension
- Center steer for greater all-around visibility

**Advanced Safety Systems**

- Improved turning radius and maneuverability
- 11% greater braking power over the current Striker (with disc brake option)
- 84 sq. ft. glass for maximum driver visibility

**Unsurpassed Reliability and Durability**

- Walk-in service port with incorporated drip pan
- Industry-leading access to engine and power pack
- 29% greater fuel capacity
- 24/7/365 support

**Smart Design**

- Color-coded switches easily identify controls (water, foam, dry chemical, clean agent)
- Cab space – 275 cubic ft. (7.8 cubic m)



# THE NEW STRIKER CHANGES THE WAY YOU FIGHT BACK.



## PERFORMANCE

**Top Speed:** Greater than 70 mph (113 km/h)

**Side Slope Stability (Static):**  $\geq 30^\circ$

**Gradeability:** Ascend/descend a 50% grade

**Turning Diameter:** 84.5 ft. (25.75 m)

### Dimensions:

- Length – 426 in. (1082 cm)
- U.S. Width – 120 in. (305 cm)
- European Width – 118 in. (300 cm)
- Height without HRET – Less than or equal to 140 in. (356 cm) (with full water tank)

## CHASSIS

**Engine:** DEUTZ TCD 16.0 V8 with 2,131 ft./lbs. of torque at 1,400 rpm

700 hp Tier 4i/Euro 5 emissions compliant

**Transmission:** Allison 4800 EVS transmission; electronic/7-speed/automatic

### Anti-Lock Braking System (ABS)

**Cab:** 5-person seating; aluminum frame construction with center steering position; wrap-around, cockpit style instrument panel; easy-read backlit gauges and controls

**Transfer Case:** Oshkosh® independent with torque proportioning differential and driver selected locking mechanism

**Front Axle:** 31,000 lbs. (14061 kg); Oshkosh double reduction with bevel gear differential; driver operated differential lock (transverse and separate front to back)

**Front Brakes:** Drum brakes standard (Rockwell® Dual Actuator Air); optional disc brakes available (17" Rotor Bendix® SN7 sliding caliper)

**Rear Axle:** 31,000 lbs. (14,061 kg); Oshkosh double reduction with bevel gear differential; driver operated differential lock

**Rear Brakes:** S-cam type; air/drum brake standard, disc brake available

**Suspension:** Oshkosh TAK-4® independent system with dual control arms and single coil spring; up to 16 in. (40.6 cm) of wheel end travel with superior all-terrain mobility, ride quality and handling

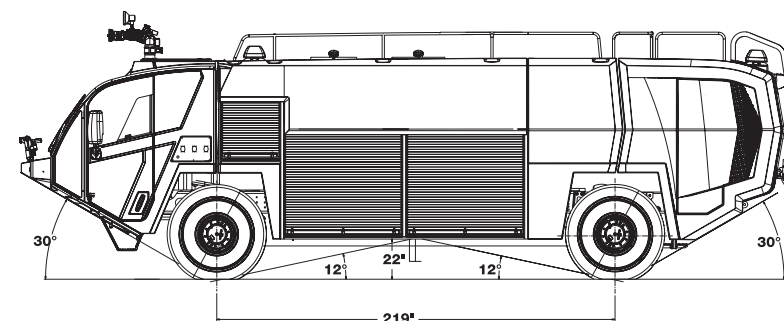
**Air Conditioning:** 60,000 BTU cooling capacity

**Heat:** 80,000 BTU heating capacity

**Tires:** Michelin® 24R21 XZL

**GVWR:** 62,000 lbs. (28123 kg)

**Wheelbase:** 219 in. (556 cm)



## FIREFIGHTING SYSTEM

**Roof Turret:** Non-aspirating and aspirating options available, electric joystick control; 375/750 gpm (1420/2839 lpm), options available up to 1,585 gpm (6000 lpm)

**Bumper Turret:** Non-aspirating and aspirating options available, electric joystick control; 300 gpm (1136 lpm), higher flow options available

**Water Tank:** 1,500 gal. (5678 l) capacity; corrosion and UV resistant polypropylene

**Foam Tank:** 210 gal. (795 l) capacity; corrosion and UV resistant polypropylene

**Fire Pump:** Power divider driven Waterous® CRQB; single stage centrifugal, cast iron body, brass impeller, stainless steel shaft, pump-and-roll capable; 2,000 gpm (7511 lpm)

- Optional Waterous CRUQB High Flow Pump – 2,650 gpm (10,031 lpm)
- Optional Brass/Bronze Pump

**Fixed Hose Reels:** 100 ft. (30 m) Hose Length Bundled with Water/Foam or 150 ft. (46 m) Hose with Dry Chemical

### Foam Proportioning System Around the Pump

### Advanced Firefighting Technology Ready

- Ultra High Pressure Water
- High Pressure Water
- Quad Agent (Water, Foam, Dry Chemical, Clean Agent)
- Compressed Air Foam System

## OPTIONS\*

### Pulse Technology

- Casts Dry Chemical Powder "Dry" over 90 ft. (27 m)
- Trouble-Free Delivery from the Storage Tank
- Eliminates Routine Dry Chemical Tank Fluffing

**Swing Out Hose Reels:** 100 ft. (30 m) Hose Length Bundled with Water/Foam or 150 ft. (46 m) Hose with Dry Chemical

**Crosslays:** Up to 2 crosslays with up to 300 ft (91 m) of 1.75 in. (44 mm) hose per crosslay with 2 preconnects (1 each side)

### Disc Brakes (outboard mounted)

### Mechanical Rear Axle Steering

### Central Tire Inflation

**Winterization System:** For temperatures extreme as  $-40^\circ$  F/C

**Hydraulic Generator:** 10kW or 15kW options

### Auxiliary Lighting

### High Reach Extendable Turret (HRET)

**High Volume, Fixed Mount or Low Attack Bumper Turrets:** 1,250 gpm (4732 lpm) capacity

**Dry Chemical System:** Single agent or dual agent handline and/or primary turret discharge capability

### Central Lube System

**Hydro-Chem™ Direct Injection:** Dry chemical nozzle for primary turret and/or dual agent handline discharge

**Clean Agent System:** Single agent or dual agent handline, and/or HRET discharge capability

### Electronic Foam Proportioning

oshkoshairport.com

+1 920 235 9151



\* Partial options listing only; additional and special request options are also available.

The Striker 1500 meets or exceeds all National Fire Protection Association (NFPA) 414, Federal Aviation Administration (FAA) and International Civil Aviation Organization (ICAO) requirements for all 1,500 gallon (5678 l) water capacity ARFF vehicles.

©2010 Oshkosh Corporation. Oshkosh, the Oshkosh logo, Striker, the Striker logo and TAK-4 are registered trademarks of Oshkosh Corporation, Oshkosh WI, USA. OA-0002-STRKR3000ENG 5/10